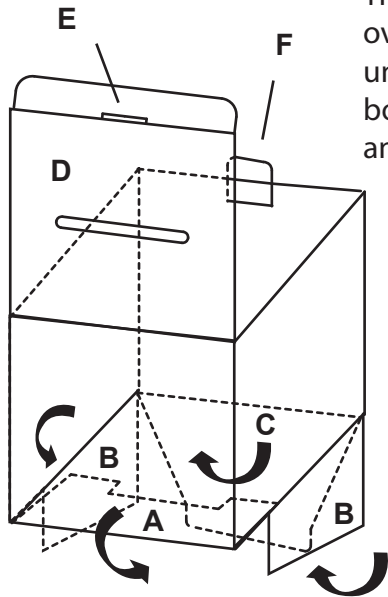


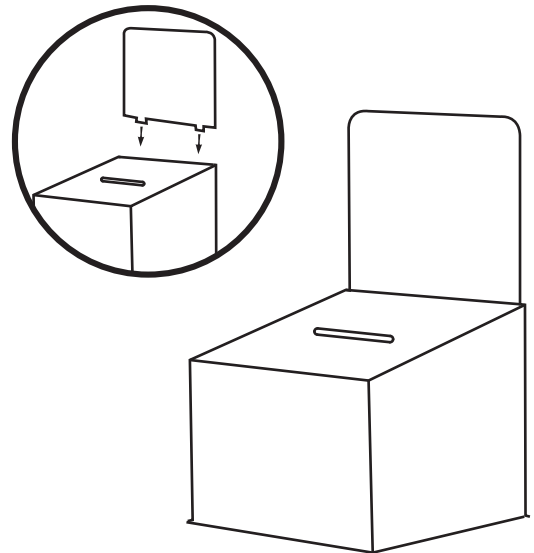


Model 9014 - Floor Ballot Box Display

1. Square up counter display and fold bottom flap (A) under display. Then fold side bottom flaps (B) over (A). Push flap (C) onto (A & B) until snaps through and locks bottom. Fold over top panel (D) and lock (F) into (E).

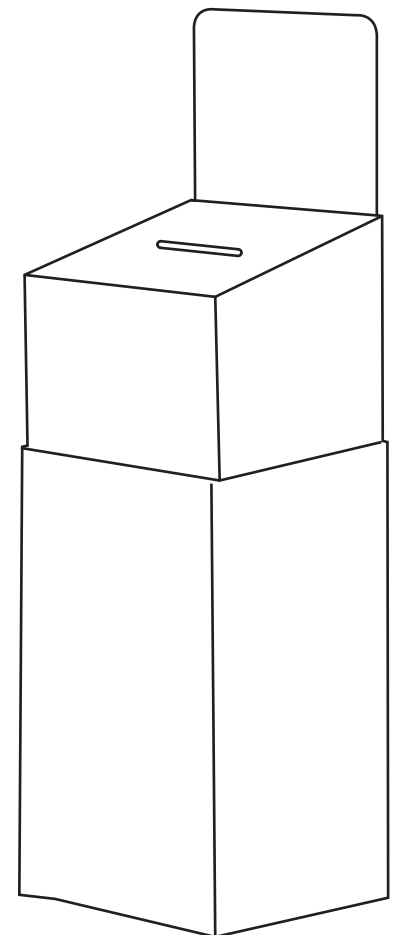
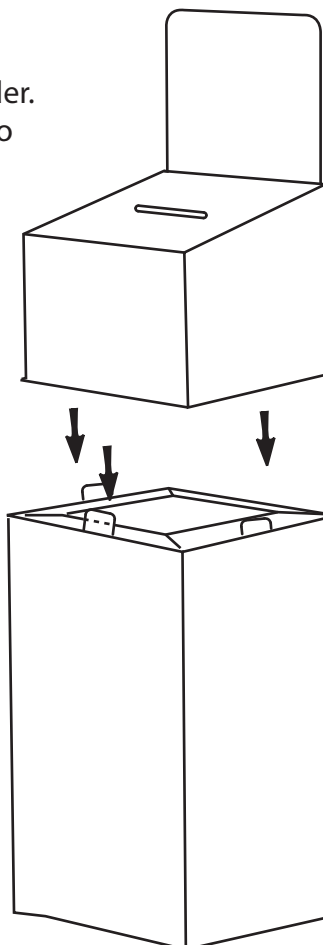
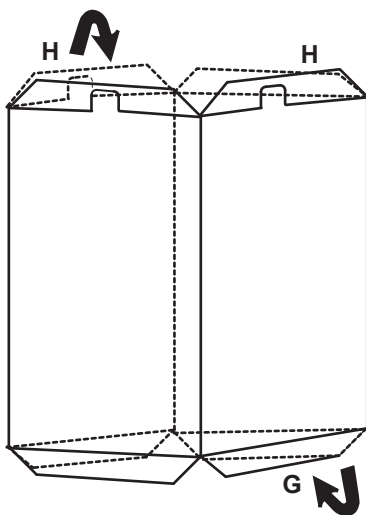


2. Place header into top slots.



Base Display Instructions

1. Pop open base and fold (G) flaps under. Fold (H) flaps over. Place Ballot Box onto base and lock tabs in as shown.



YOUR FINISHED DISPLAY