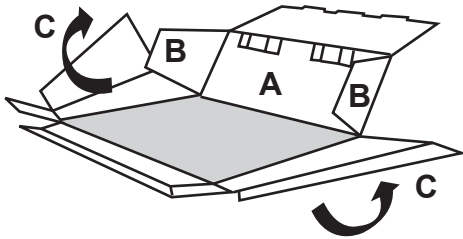


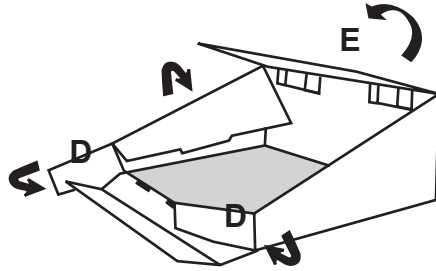
Model 9004 - Two Tier Floor Display



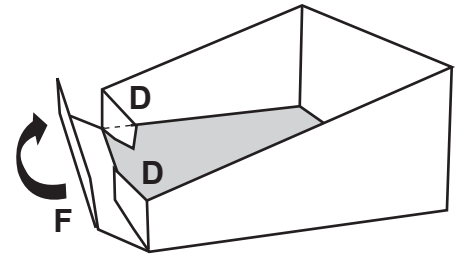
1. Fold (A) up and side flaps (B) in toward each other. Roll up right & left flaps (C) over flaps (B) and lock in.



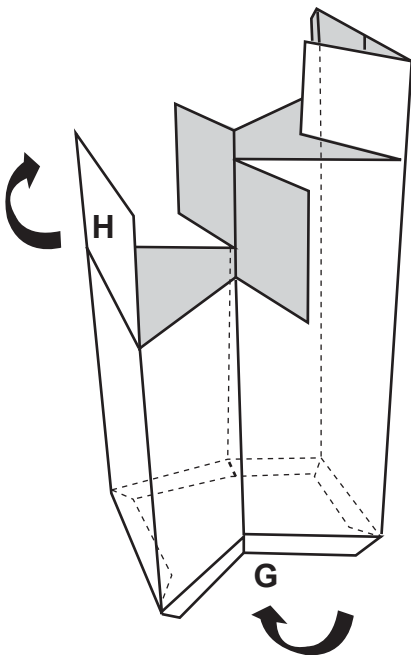
2. Fold (D) in toward each other. Roll over back double wall (E) and lock in as shown.



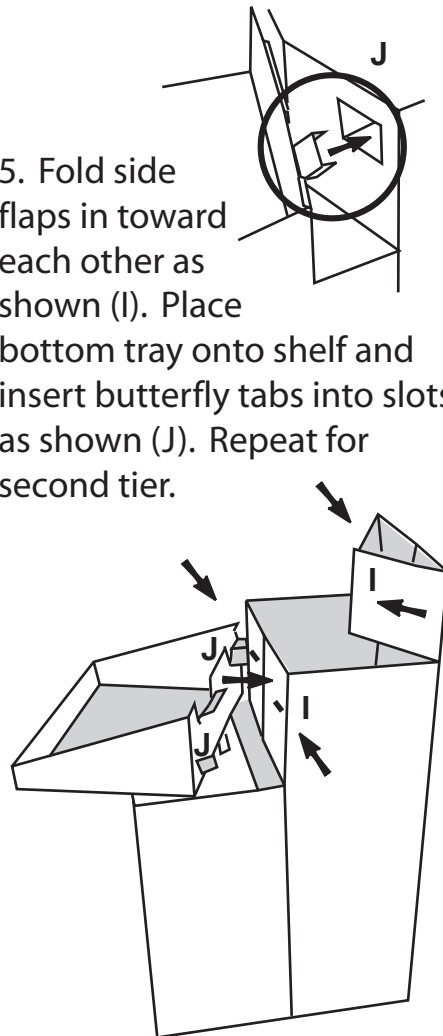
3. Roll front double wall (F) over (D) flaps and lock in. Repeat step second tray.



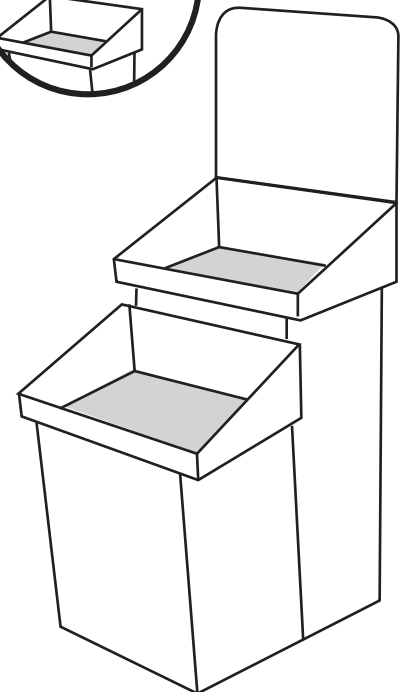
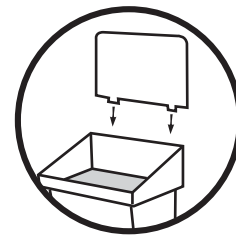
4. Square up base. Fold bottom flaps (G) under base. Fold shelf (H) over.



5. Fold side flaps in toward each other as shown (I). Place bottom tray onto shelf and insert butterfly tabs into slots as shown (J). Repeat for second tier.



6. Place optional haeder into top slots.



YOUR FINISHED DISPLAY