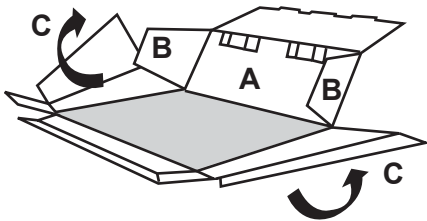


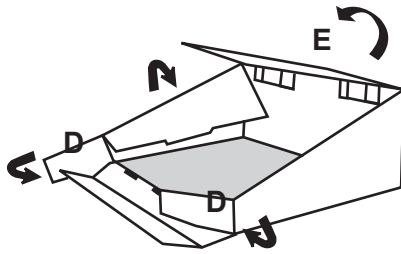
Model 9003 - Single Tier Floor Display



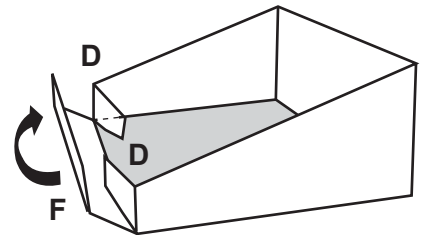
1. Fold (A) up and side flaps (B) in toward each other. Roll up right & left flaps (C) over flaps (B) and lock in.



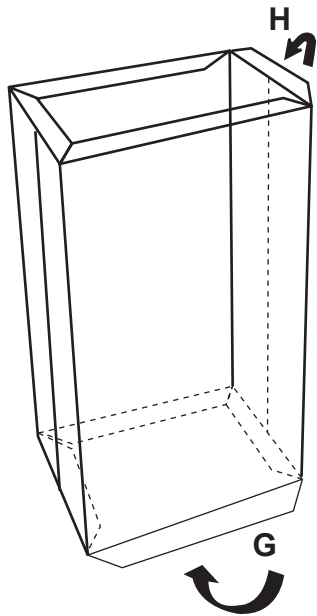
2. Fold (D) in toward each other. Roll over back double wall (E) and lock in as shown.



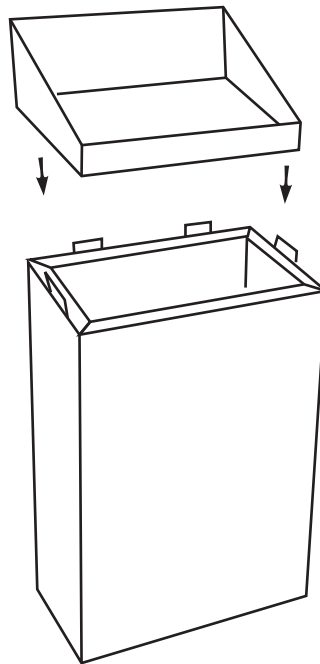
3. Roll front double wall (F) (D) flaps and lock in.



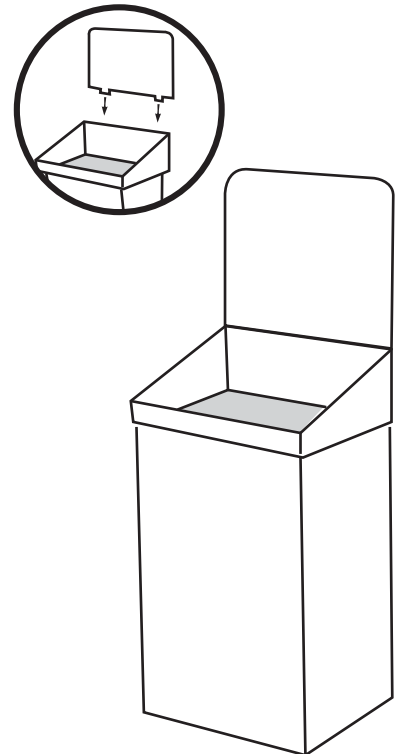
4. Square up base. Fold bottom flaps (G) under base. Fold top flaps (H) towards inside.



5. Put tray onto base and lock into tube as shown.



6. Place optional header into top slots.



YOUR FINISHED DISPLAY