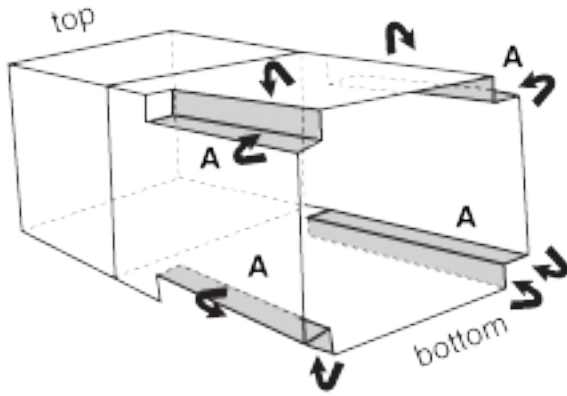
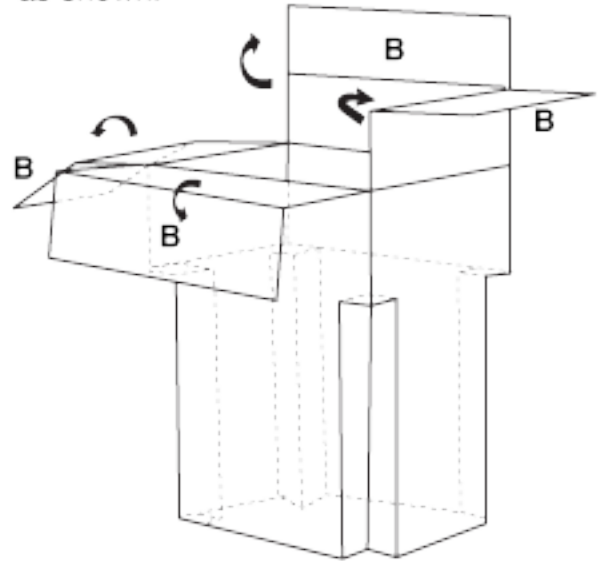


**1** Square up base. Fold the four corner kick-ins (A) into base.

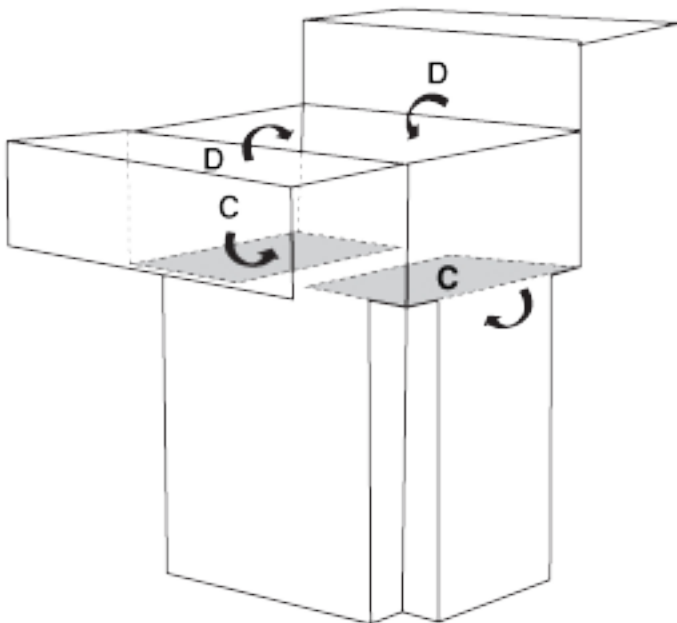


\* Note that base is pictured on its side.

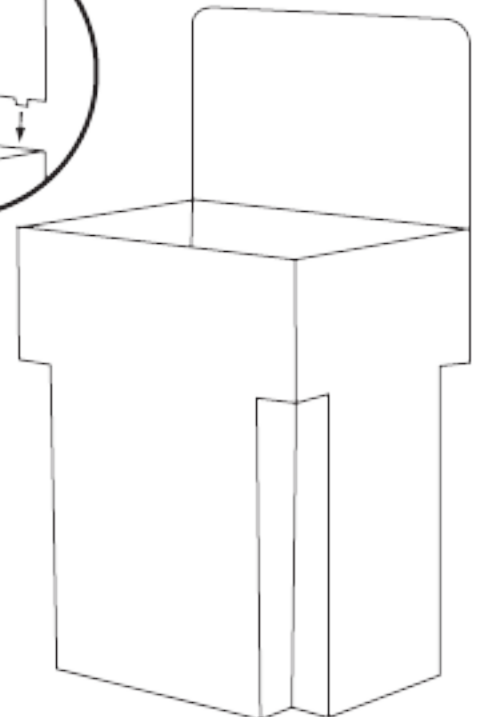
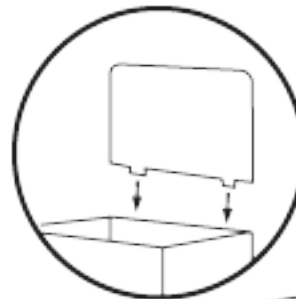
**2** Back break all four side flaps (B) at 90° as shown.



**3** Roll over right and left side flaps (C) which will rest on the kick-ins. Repeat to front and back flaps (D) to make the bin.



**4** Place optional header into top slots.



YOUR FINISHED DISPLAY